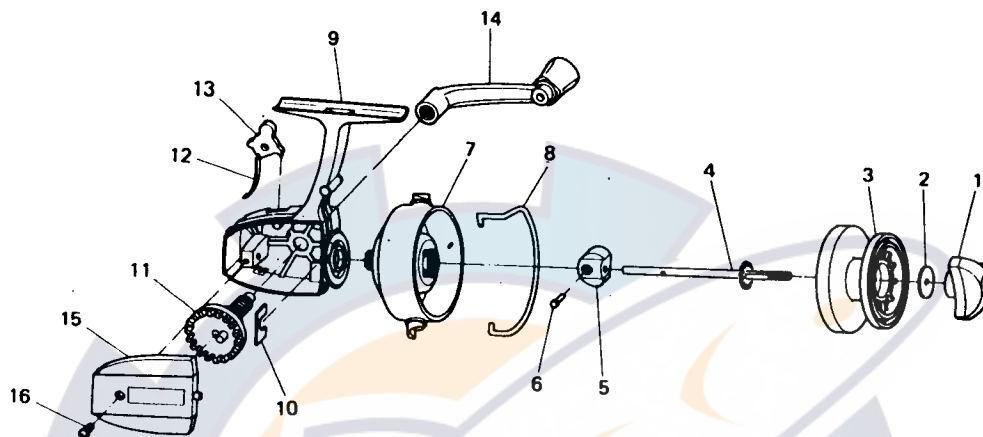




SPINNING REEL **7270A**



**LINE CAPACITY: 200 YDS., 8 LB. TEST (290m Dia. 0.23mm)**

Key No.	Parts No.	Parts Name	Key No.	Parts No.	Parts Name
1	64413501	Drag knob	9	61923801	Body
2	63747901	Drag washer	10	66324011	Pinion retainer
3	67308001	Spool	11	64128901	Drive gear
4	67105301	Main shaft	12	61506201	Anti-reverse claw spring
5	64805101	Oscillating slider	13	61104711	Anti-reverse claw
6	64904411	Oscillating slider pin	14	67457501	Handle
7	67352501	Rotor	15	67056705	Body cover
8	62202331	Bail	16	63517001	Body cover screw